

# VACUHANDY<sup>®</sup>

## PARTS CATALOGUE

*Lift effortlessly and safely, increase productivity with a single turn of the handle.*



# ABOUT

Vacuhandy Vacuum Lifters – a revolutionary solution for effortless and efficient lifting. Vacuhandy simplifies heavy lifting with its advanced vacuum lifter range, offering precise and reliable performance. Our electric vacuum lifters feature cutting-edge suction technology for a secure grip on various surfaces.

Say goodbye to manual lifting challenges and welcome the convenience of Vacuhandy Vacuum Lifters. Whether you work in construction, logistics, or manufacturing, our innovative lifters cater to diverse needs, ensuring optimal performance and safety. With user-friendly controls and sturdy construction, VacuHandy Vacuum Lifters redefine lifting efficiency, setting a new standard for productivity in your workspace.

Experience the convenience of Vacuhandy Vacuum Lifters – where technology meets strength, making heavy lifting a breeze. Elevate your lifting solutions with VacuHandy and enjoy a world of convenience with a single turn of the handle.



# Suction pads

Suction pads are essential components of a vacuum lifter. These suction pads are designed to ensure a safe and efficient grip. The operation of the suction pad depends on carefully regulated air pressure. When air is sucked out of the suction pad, a vacuum is created that attaches the object to the suction pad.

## Suction pad | VH210

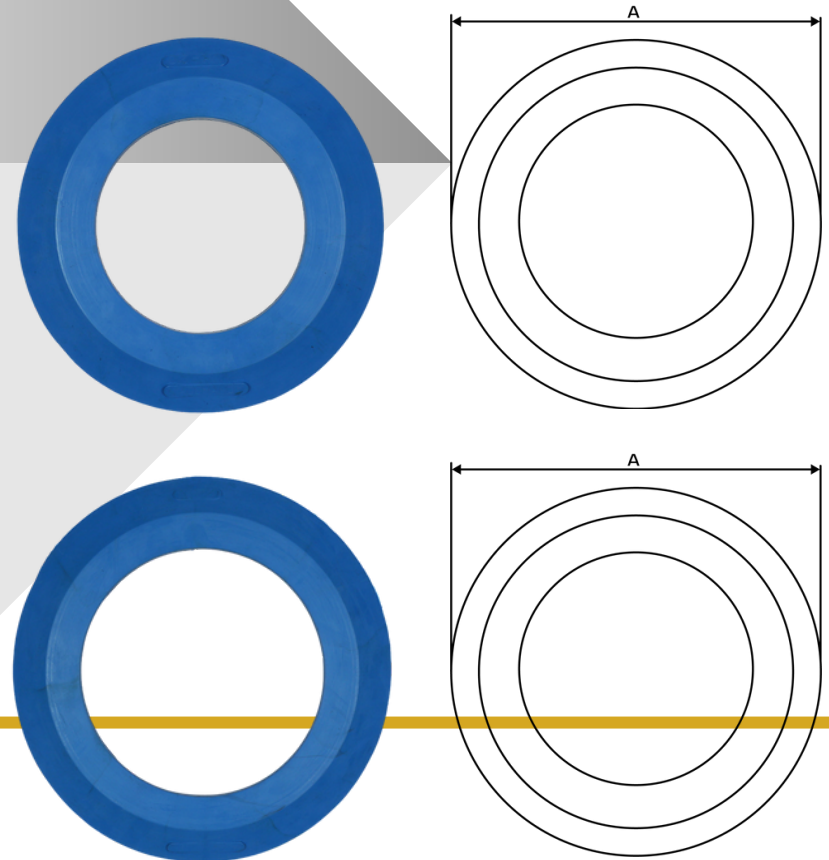
- Type VH210
- Compatible with several variants of van Vacuhandy XL1

Type	A mm
VH210	210

## Suction pad | VH250

- Type VH250
- Compatible with several variants of Vacuhandy XL1 and Vacuhandy XL2

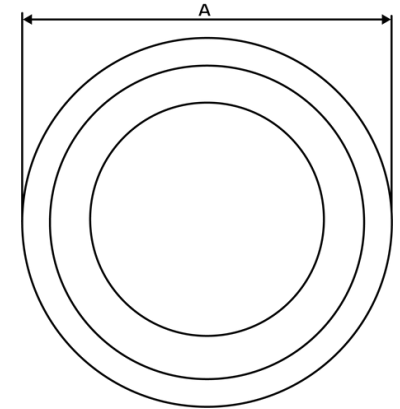
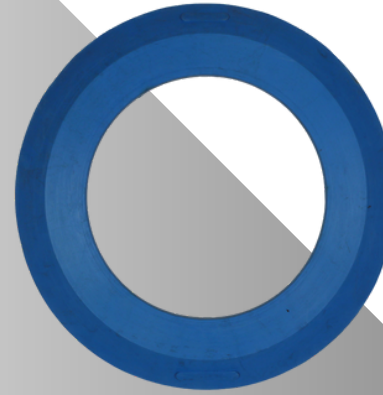
Type	A mm
VH250	250



## Suction pad | VH300

- Type VH300
- Compatible with several variants of Vacuhandy XL1, Vacuhandy XL2 and Vacuhandy XL3

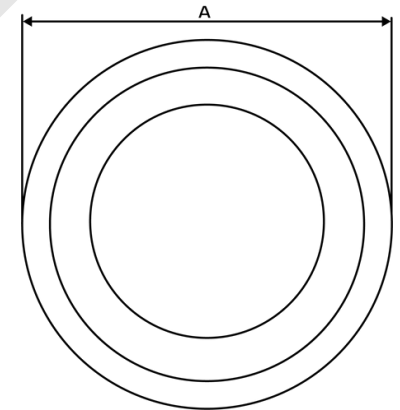
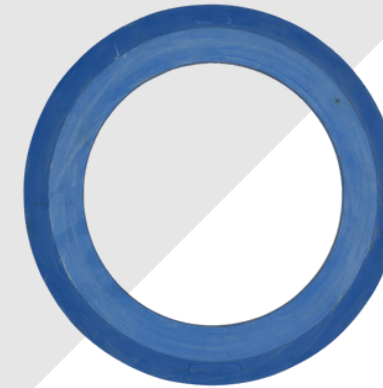
Type	A mm
VH300	300



## Suction pad | VH350

- Type VH350
- Compatible with several variants of Vacuhandy XL1

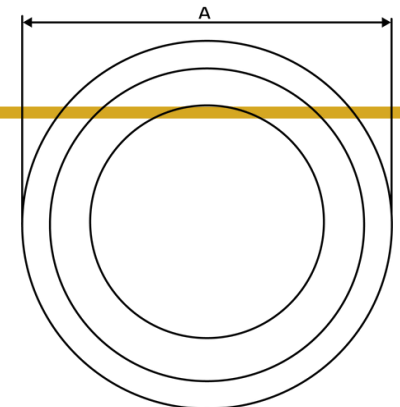
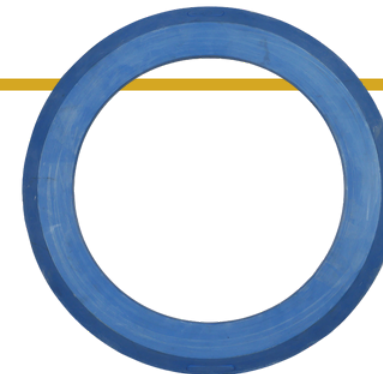
Type	A mm
VH350	350



## Suction | VH375

- Type VH375
- Compatible with several variants of Vacuhandy XL2 and Vacuhandy XL3

Type	A mm
VH375	375



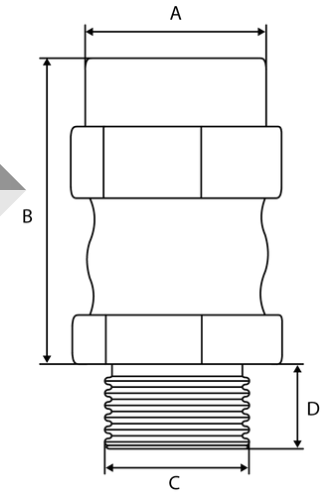
# Flexilink

The flexilink provides a seamless connection between various parts of the vacuum lifter. When the vacuum lifter is subjected to different forces, the flexilink maintains an airtight seal. This ensures constant and reliable suction.

## Flexilink

- Connector
- Maintains airtight seal

Type	A mm	B mm	C mm	D mm
Flexilink	26	43.5	20.8	13.9



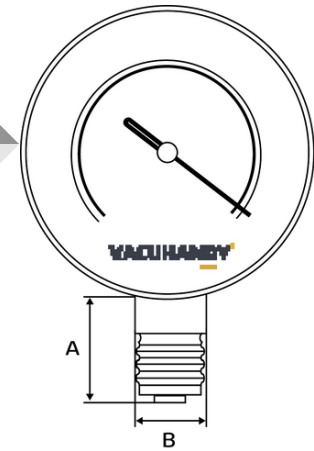
# Manometer

The manometer displays the pressure levels of the vacuum lifter. The manometer is attached to the vacuum lifter and constantly displays the pressure level. The manometer is an important component because it can detect problems in the vacuum lifter's air pressure.

## Manometer

- Pressure level display
- Attached to vacuum lifter

Type	A mm	B mm
Manometer	22	13



# VACUHANDY®

## Benieuwd naar de mogelijkheden?

We waarderen je enthousiasme en kijken uit naar de mogelijkheid om een samenwerking aan te gaan. Neem voor meer informatie contact met ons op via onderstaande contactgegevens:

### Mitari Vacuum Lifting BV



De Maas 40  
5684 PL Best  
Nederland



[vacuhandy.com](http://vacuhandy.com)



[info@vacuhandy.com](mailto:info@vacuhandy.com)



+31 499 338000

*Til moeiteloos en veilig, verhoog de productiviteit met één draai aan de handgreep.*

